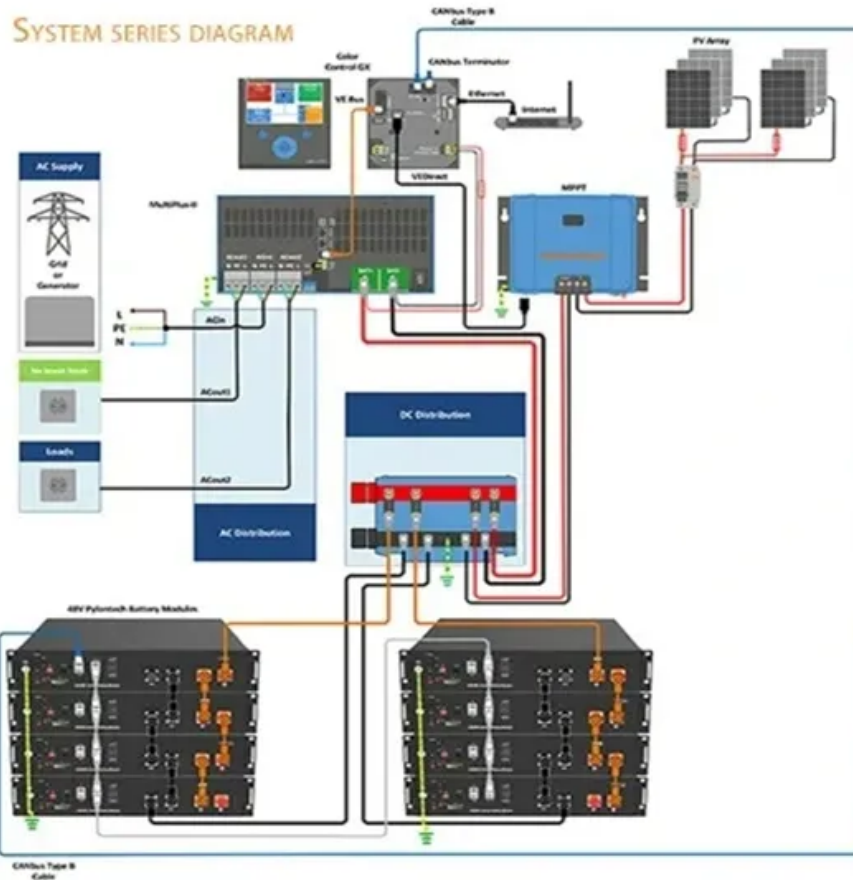


40 degrees solar power generation



Overview

For maximum output, the sweet spot for solar panels in the continental U. is facing roughly south and tilted between 15 and 40 degrees, according to the Department of Energy.

40 degrees solar power generation



encoding

%40 converted into @ on Get Asked 12 years, 9 months ago Modified 7 years, 8 months ago Viewed 15k times

How to make more than 40 security() calls?

The workaround is not to have more security() calls, but to be able to fetch many more values than 40, with those 40 security() calls, by using tuples. As demonstrated in my answer, 7



[How to set the solar energy at 40 degrees , NenPower](#)

Setting solar energy systems to operate efficiently at 40 degrees requires careful consideration of several factors, including 1. selection of suitable

Homeowner's Guide to Solar

Typically, solar panels perform best on south-facing roofs with a slope between 15 and 40 degrees, though other roofs may be suitable too. You should also consider the age of your roof and how long



[Solar Panel Tilt Angle Calculator: Optimize by Latitude](#)



Ivanpah Solar Power Facility

OverviewDescriptionFossil fuel consumptionEconomic impactPerformanceEnvironmental impactsIn popular cultureExternal links

The Ivanpah Solar Electric Generating System is a concentrated solar thermal plant located in the Mojave Desert at the base of Clark Mountain in California, across the state line from Primm, Nevada. It was slated to close in 2026, but that decision has been reversed by the California Public Utilities Commission. The facility derives its name from its proximity to Ivanpah, California, which lies within the Mojave National Preserve



[Must '@' and '%40' be treated equivalently in URL paths?](#)

The URI standard is STD 66, which currently maps to RFC 3986 (which updates RFC 1738). The section 6.2.2.2. Percent-Encoding Normalization defines how to normalize percent

This simple adjustment can increase solar output by 10 to 25 percent depending on your location. For example, if you live in Denver at 40 degrees north latitude, set



docker

I had the same issue with docker client 24.0.2-rd and the client API version was 1.43 and the server version was 1.41. The same solution worked for me export `DOCKER_API_VERSION=1.41`





[How do I fix the error 'Named Pipes Provider, error 40](#)

Named Pipes Provider, error: 40 - Could not open a connection to SQL Server I tried using the local IP address to connect as well as a public one. I've tried: Yes, the site can

[Vulnerabilities in spring-webmvc-5.3.39 to 5.3.40](#)

Discussion on vulnerabilities in specific versions of spring-webmvc and potential solutions provided by the community.



python

Even if you have setuptools 40.8.0 installed a package that explicitly declared setuptools as a dependency requires setuptools distribution to exist in the local directory.

Why positive response is always plus 40 and negative response is 7F

In UDS the first byte of a positive response is always SID + 40 hex (SID = Service Identifier, the first byte of the request) and the first byte of a negative response is always 7F hex:



Contact Us

For catalog requests, pricing, or partnerships, please visit:
<https://www.bachelorpartyvenue.co.za>